

FG

**Gas Filters
DN15 ... DN300**

FG

Gas Filters

Contents

Description	2
Features	2
Functioning and application	3
Technical specifications	4
Gas flow chart (pressure drop)	6
Ordering information	8
Accessories and options	8
Standards and approvals	9

Description

The FG type is a filter for gas pipelines according to DIN 3386, with high holding capacity of dust and impurities, suitable for protection of devices installed downstream.

Features

The filters are made of aluminum alloy die-cast, with a wide range for inlet/outlet connections from DN15 up to DN 300.

Suitable for natural gas, town gas, LPG (gaseous) and air. On request the filters can be provided with special seals suitable for aggressive gases.

The incorporated filtering cartridge is a steel support frame covered with a double-layer high performance nonwoven made of polyolefin fibers, which satisfy the stringent requirements of Fire Class F1 according to DIN 53438 and are thus self-extinguishing.

Considering the same connection, the FGS are smaller models of FG filters: the body is more compact with a reduced filtering surface.

FGS1-FGS2 models are provided with a mesh filter cartridge.

FG98-FG910-FG912 models are provided with a 2-stage single-layer filtering cartridge.

Provided with pressure test points for both inlet and outlet chamber (optional for threaded models).

All components are designed to withstand any mechanical, chemical and thermal condition occurring during typical service. Effective impregnation and surface treatments have been used to improve mechanical sturdiness, sealing and resistance to corrosion of the components.

Filters are 100% tested by computerized testing machineries and are fully warranted.

Functioning and application

The FG type filter is designed for installation in gas and air lines, to protect downstream devices.

The filtering cartridge made of nonwoven polypropylene fibers with a metal support frame, is suitable to retain dust and other impurities with size $\geq 30\mu\text{m}$.

When the dust storage capacity is exceeded or if there is an excessive pressure difference, the filter loses its protective function. In this case the filter element must be replaced.

FGS1-FGS2 models are provided with a mesh filter cartridge ($50\mu\text{m}$), which is easy washable.

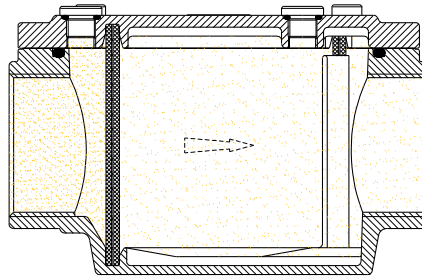


Fig.1

Figure 2 shows an example of installation with other Elektrogas devices.

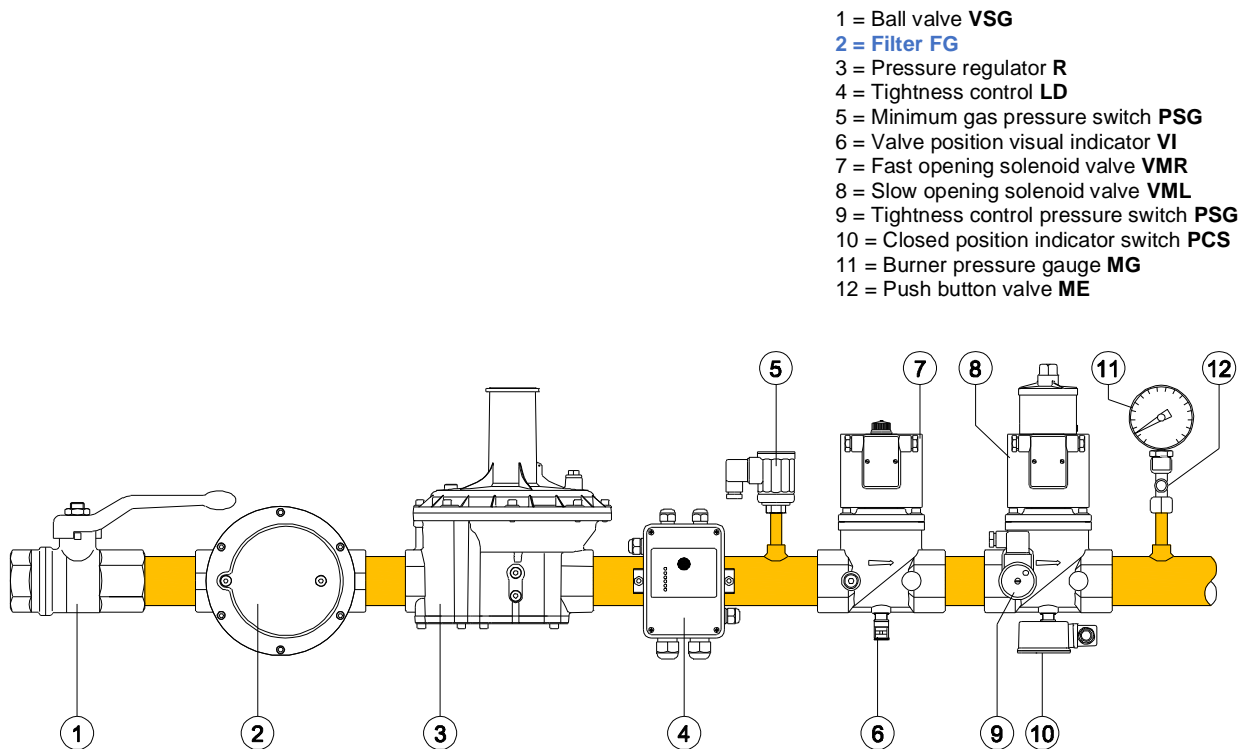


Fig.2

Technical specifications

Tab. 1

Connections	Gas threaded EN 10226-1 from Rp1/2 to Rp2 or ANSI-ASME B1.20 from 1/2"NPT to 2"NPT Flanged PN16 – ISO 7005 from DN65 to DN300 or ANSI-ASA-ASME B16.5 class 150 from 2" to 10"
Max. operating pressure	2 bar (30 psig) 6 bar* (90 psig)
Body test pressure	3 bar (45 psig) 9 bar* (130 psig)
Ambient temperature Media temperature	-40°C / +80°C (-40°F to +176°F)
Flow capacity	see charts
Pore width of filter element	≤ 50 µm (mesh filter cartridge FGS1, FGS2) ≤ 30 µm (double-layer polypropylene cartridge) ≤ 5 µm (optional - polypropylene cartridge)
Filtration class	G4 according to EN 779
Pressure test points (when provided)	Inlet and outlet chambers 1/8" onto threaded models (except FGS1-FGS2) 1/4" onto flanged models
Installation	Into horizontal and vertical pipeline
Gas type	Natural gas, town gas, LPG (gaseous) of families 1,2,3 and air On request special version for aggressive gases, such as biologically produced methane
Materials in contact with gas	Aluminum alloy, zinc plated steel, polypropylene fibers, PES, PE, anaerobic sealant, NBR rubber
Features of J version	Ambient temperature -20/+80°C Materials in contact with gas: aluminum alloy, zinc plated steel, polypropylene fibers, anaerobic sealant, FPM rubber

*not available for models S1/2", S3/4", 8", 10" and 12"

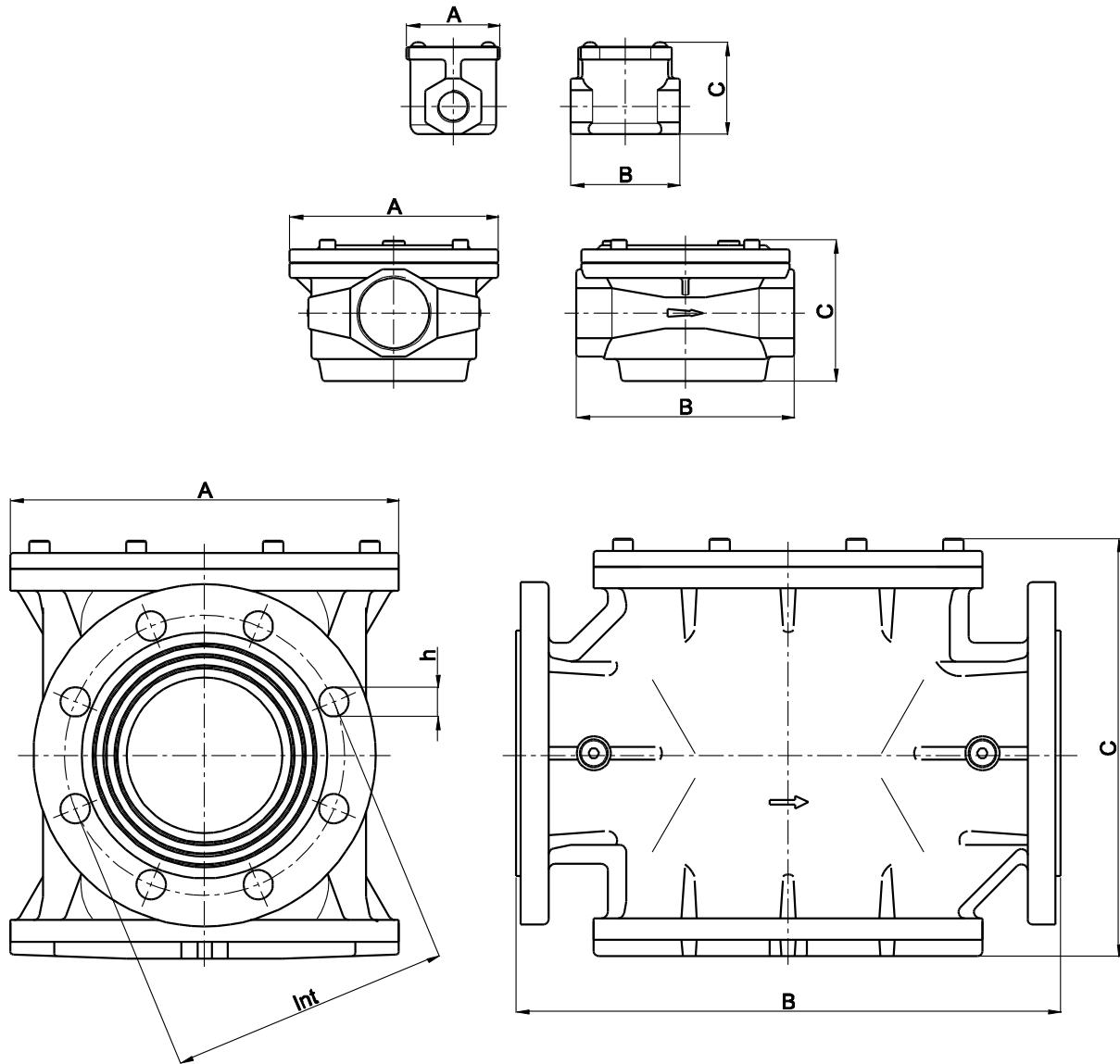


Fig.3

Tab. 2

Model	Connection	Flow factor Kvs [m³/h]	Overall dimensions [mm]					Weight [Kg]	Filtering area [cm²]
			A	B	C	Int	h		
FGS1	Rp 1/2	6,8	60	70	60			0,24	17
FGS2	Rp 3/4	11	60	70	60			0,22	17
FG1	Rp 1/2	6,8	88	96	84			0,39	55
FG2	Rp 3/4	11	88	96	84			0,38	55
FGS3	Rp 1	16	88	96	84			0,36	55
FG3	Rp 1	22	134	140	91			0,97	145
FG35	Rp 1 1/4	26	134	140	91			0,91	145
FGS4	Rp 1 1/2	30	134	140	91			0,85	145
FG4	Rp 1 1/2	50	182	208	128			2,2	330
FG6	Rp 2	70	182	208	128			2,0	330
FG4 (1)	DN 40	50	182	260	165	110	4x18	3,6	330
FG6 (1)	DN 50	70	182	260	165	125	4x18	3,8	330
FG7	DN 65	110	200	304	217	145	4x18	8,6	535
FG8	DN 80	150	200	304	217	160	8x18	8,5	535
FG9	DN 100	200	250	350	265	180	8x18	13,5	860
FG93	DN 125	350	315	460	347	210	8x18	22,8	1540
FG95	DN 150	450	315	460	347	240	8x23	24,5	1540
FG98	DN 200	460	370	546	420	295	12x23	47	2760 (2)
FG910	DN 250	550	405	600	466	355	12x28	69	3100 (2)
FG912	DN 300	820	460	700	537	410	12x28	96	4200 (2)

(1) flanged kit

(2) filtering area is the sum of the two stages

Gas flow chart

(Pressure drop)

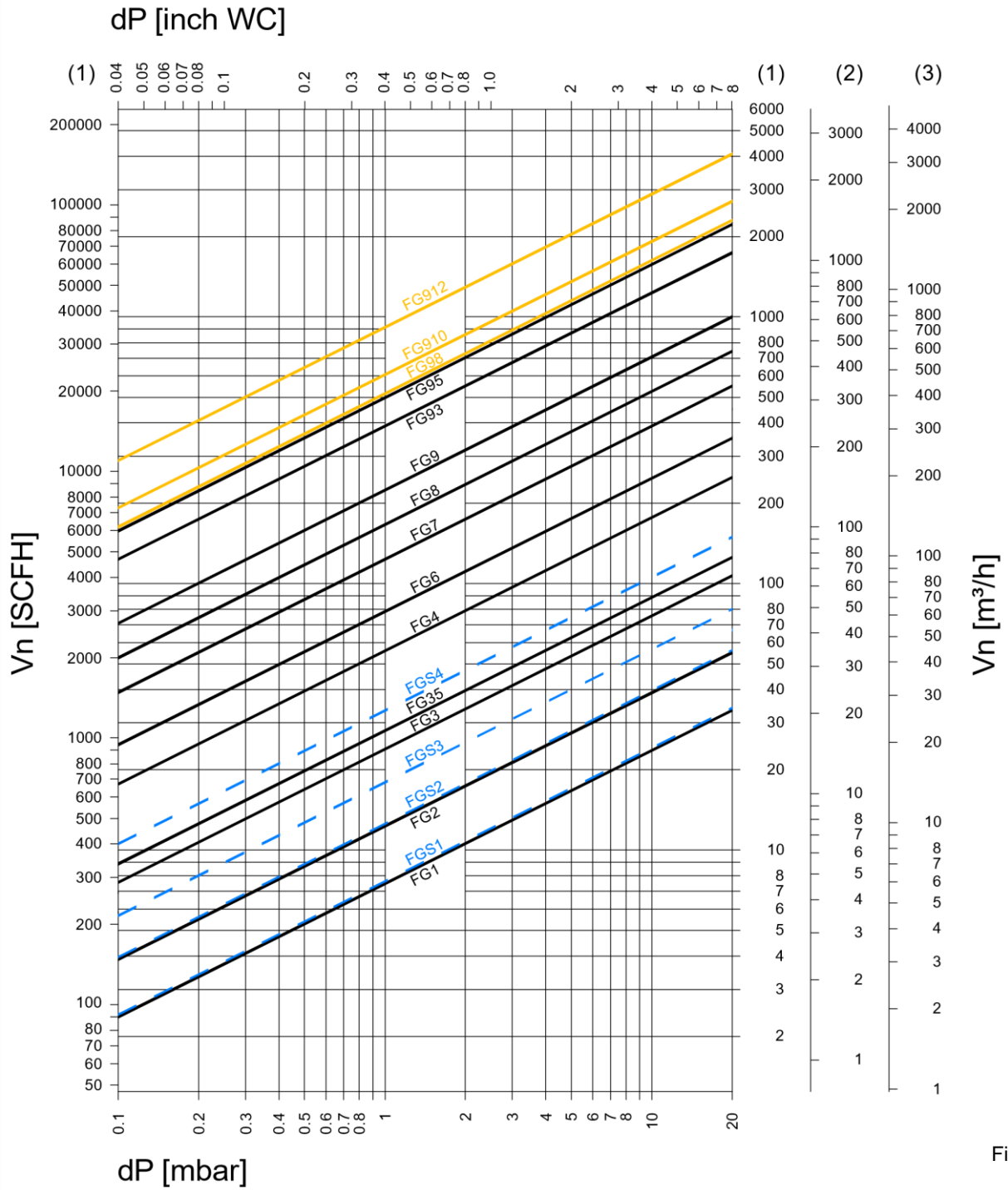


Fig. 4

Formula of conversion from air to other gases

$$V_{GAS} = k \cdot V_{AIR}$$

$$k = \sqrt{\frac{\rho_{AIR}}{\rho_{GAS}}}$$

Tab. 3

Gas type	Density ρ [Kg/m³]
(1) Natural gas	0,80
(2) LPG	2,00
(3) Air	1,225

15°C, 1013 mbar, dry

When the flow read on the diagram is referred to operating pressure instead of standard conditions, the pressure drop Δp read on the diagram must be multiplied for the factor: (1+ relative pressure in bar)

Example:

For a filter with size 1"½ and a natural gas flow of 80 m³/h at standard conditions the pressure drop is $\Delta p = 2$ mbar.

If we consider that 80 m³/h is the flow at 2 bar of gas pressure, then the effective pressure drop to be consider is:

$$\Delta p = 2 \times (1 + 2) = 6 \text{ mbar}$$



Filter must be selected considering the following:

- Pressure drops $\Delta p \leq 10$ mbar
- Flow velocities $w \leq 20$ m/s

Normally, pressure drop and flow rate for the filters are read from the gas flow diagram. However, the filters can also be chosen in accordance with the characteristic "Kvs value" which is shown in table 2.

The selection of the filter requires the calculation of the Kv under the operating conditions.

Considering only subcritical pressure drops:

$$\Delta p < \frac{p_1}{2}$$

Kv can be calculated with the formula:

$$Kv = \frac{Vn}{514} \sqrt{\frac{\rho(t+273)}{\Delta p \cdot p_2}}$$

where

Vn = flow rate at standard conditions [m³/h]

Kv = flow factor [m³/h]

ρ = density [Kg/m³]

p_1 = absolute inlet pressure [bar]

p_2 = absolute outlet pressure [bar]

Δp = differential pressure $p_1 - p_2$ [bar]

t = media temperature [°C]

To the Kv value calculated from operating conditions we add an allowance of 20%, to obtain the minimum Kvs value which the filter should have:

Kvs > 1,2 Kv

Example:

We need a filter with a capacity of 100 m³/h of natural gas, with a pressure of 2 bar and a temperature of 15°C, corresponding to 300 m³/h at standard conditions.

Considering an actual pressure drop $\Delta p_{max} = 10$ mbar, we obtain:

$$Kv = \frac{300}{514} \sqrt{\frac{0.8 \cdot (15 + 273)}{0.010 \cdot (1 + 2)}} = 51 \text{ m}^3/\text{h}$$

The filter with Kvs > (1,2 x 51) = 61 m³/h is the size 2", which has Kvs=70 m³/h (table 2).

By applying the inverse formula, the effective pressure drop can be obtained:

$$\Delta p = 5,2 \text{ mbar}$$

Ordering information

		FG	2	2	A	Tab.4 .J
Device type						
FG						
Size						
S1	1/2" small ⁽¹⁾	S3	1" small			
S2	3/4" small ⁽¹⁾	S4	1"½ small			
1	1/2"	8	3"			
2	3/4"	9	4"			
3	1"	93	5"			
35	1"¼	95	6"			
4	1"½ ⁽²⁾	98	8" ⁽³⁾			
6	2" ⁽²⁾	910	10" ⁽³⁾			
7	2"½	912	12" ⁽³⁾			
Max. Operating pressure						
2	2 bar (30 psig)					
6	6 bar (90 psig)					
Connection						
none	Rp internal thread / ISO flange					
A	Rp internal thread / ISO flange with pressure test points					
N	NPT internal thread / ANSI flange					
NA	NPT internal thread / ANSI flange with pressure test points					
Special versions						
J	special seals for aggressive gases					
K	special seals with metal cartridge					
HF	Hydrogen					
M	5 µm cartridge					
Z1	Epoxy body coating					
+	FGS1-2 with nonwoven cartridge					

⁽¹⁾ Available only with max operating pressure 2 bar (30 psig) and without pressure test points

⁽²⁾ Flanged connections with optional kit

⁽³⁾ Available only with max operating pressure 2 bar (30 psig)

Accessories and options

Inlet and outlet pressure chambers can be provided with pressure test points, to connect a gas differential pressure switch to monitor the pressure difference.

On request pressure test point fittings can be provided (mounting in charge of the user).

The threaded models 1"½ and 2" can be provided with flanged connections using an optional kit.

Standards and approvals

The product complies with the essential requirements of the following European Directives and their amendments:



2014/68/EU (Pressure Equipment Directive)
2011/65/EU (RoHS II)

CE-Reg.-No. PED/0497/2875/14



The product complies with the Technical Regulation RT UD 032/2013 of Russia, Belarus and Kazakhstan.

Declaration of Conformity No.: **CN № RU Д-IT.PA01.B.40716**



Quality Management System is certified according to UNI EN ISO 9001.



The information in this document contains general descriptions of technical options available and based on current specifications.

The company reserves the right to make changes in specifications and models as design improvements are introduced, without prior notice.

Visit Elektrogas website for updates and further details.

Elektrogas is a brand name of:

Elettromeccanica Delta S.p.A.
Via Trieste 132
31030 Arcade (TV) – ITALY

phone +39 0422 874 068
www.delta-elektrogas.com
info@delta-elektrogas.com

Copyright © 2024
All rights reserved